

# 90cm Majestic Electric Oven with Induction Cooktop MI90MP



- MADE IN ITALY**
- 24 MONTH WARRANTY**
- 90CM WIDE**
- EXPERT MODE**
- COOL TOUCH**
- 1,625 RAL COLOURS**  
\* consult with ILVE
- DIGITAL DISPLAY**
- 11 MULTI-FUNCTION MODES**
- 5 COOKING LEVELS**



A true kitchen centerpiece that is sure to demand attention. Featuring the same cook top options as the ILVE Quadra range, these exceptional cookers will compliment any kitchen and its cook.

While a highlight of the Majestic range is its 700mm depth, the standard functions you expect from ILVE, including the electric rotisserie, precision thermostatic control, concealed grill element, programmable timer and turbo wave cooking feature, not to mention the digital food monitor - have not been forgotten.

The unique style of the Majestic Freestanding Ovens stands out above the rest and to enhance this, ILVE offers the ability to create a customized and individual look. Pick one of six colours with brass, chrome or bronze fittings; and select from five available sizes (70cm, 90cm, 100cm, 120cm and 150cm). Also available are matching range hoods with infrared heat lamps (AM series).

Living up to expectations, ILVE is bringing incomparable design, choice and functionality to the everyday Australian kitchen.

### Fitting



Majestic Knobs and Handles in Brass



Majestic Knobs and Handles in Chrome (X)



Majestic Knobs and Handles in Bronze (Y)

### Colour Palette



Bright White



Stainless Steel



Antique White



Blue



Matt Black



Emerald Green



Burgundy

# 90cm Majestic Electric Oven with Induction Cooktop MI90MP



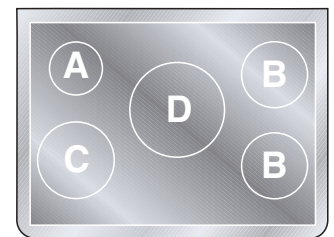
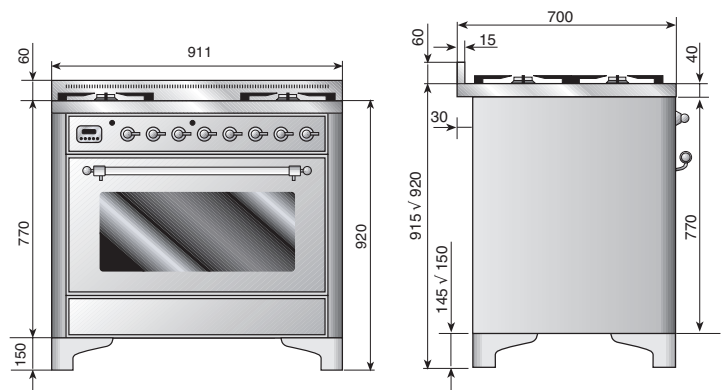
## Model MI90MP

### Oven

- Single Electric Oven with 11 multifunction cooking modes
- 110 litre oven capacity
- Easy dismantling of oven interior
- Easy clean vitreous enamel interior smooth black non staining appearance
- Recessed full width grill element with rotisserie
- Electronic programmable timer
- Cool touch athermic door handle
- Control panel and door cooling fan
- Triple door glazing for safer, cooler door temperatures
- Catalytic self cleaning system
- Stainless steel fan fat filter
- Removable oven door and inner door glass
- Storage and warming drawer
- Turbowave cooking, lower temperatures, less food spatter, moister fresher tasting roasts
- Pizza and bread mode
- Precision thermostatic control 0°C through to 250°C
- Quickstart fast preheat time 0°C - 175°C in 8 minutes
- Electronic food monitor (Roast Probe)

### Cooktop

- 90cm Induction cooktop
- Responsive Knob control operation
- All zones with booster and Simmer mode
- 9 cooking temperature variations
- Auto heat reduction
- 1 small cooking zone – 1400 W - 1800 W, 2 medium cooking zones – 1850 W - 2500 W, 1 large zone – 2300 W - 3300 W, 1 extra large zone – 2400 W - 3400 W.



For installation specifications, please consult with ILVE. For optimum installation, we recommend using the actual product as the best guide.

**90cm Majestic Induction  
Model MI90MP**  
Total Electrical Load (Kw) 14.15

11112016

Australia National Telephone Number 1300 MYILVE (694 583) New Zealand Telephone Number 0508 458 369  
ILVE showrooms are open Tuesday - Friday from 9am-5pm and Saturdays 10am-4pm. CLOSED Monday & Sunday

[ilve.com.au](http://ilve.com.au)

#### NSW & ACT (Head Office)

48-50 Moore Street  
Leichhardt  
F 02 8569 4699

#### VIC & SA

1211 Toorak Road  
Camberwell  
F 03 9809 2155

#### QLD

1/42 Cavendish Road  
Coorparoo  
F 07 3397 0850

#### WA & NT

Unit 10/55 Howe Street  
Osborne Park  
F 08 9201 9188

#### TAS (Crisp Ikin)

3 Pear Avenue  
Derwent Park, 7009  
P 03 6272 7386

#### New Zealand

PO Box 11.160  
Sockburn Christchurch  
F 03 344 5906

#### DISCLAIMER

Eurolinx PTY LTD, trading as ILVE Appliances, is continually seeking ways to improve the design specifications, aesthetics and production techniques of its products. As a result alterations to our products and designs take place continually. Whilst every effort is made to produce information and literature that is up to date, this brochure should not be regarded as an infallible guide to the current specifications, nor does it constitute an offer for the sale of any particular product. Product dimensions indicated in our literature is indicative only. Actual product only should be used to define dimension cutouts. Distributors, and retailers are not agents of ILVE Appliances and are not authorized to bind ILVE Appliances by any express or implied undertaking or representation.