

60cm Built-in Electric Oven

600 SKMP



COOL TOUCH



MADE IN ITALY

88:88^{hrs}

DIGITAL DISPLAY



EXPERT MODE



9 MULTI-FUNCTION MODES



24 MONTH WARRANTY



COOKING LEVELS

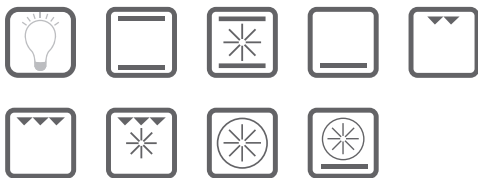


60CM WIDE



ILVE's new 600 Series compact ovens are the culmination of 2 years of research and development to bring Australian homes a oven that has the technology, sophistication and appearance that embodies the ILVE brand whilst having many functional advantages over its competitors.

The new size of the cooking cavity provides more cooking space and maximises the full internal size of the oven. Our new ULTRA-Clean light grey, nickel-free enamel interior reduces the toxicity of materials in contact with foods and is easy to clean. Another new feature is the S-MOVE soft-closing door allows you to gently close the oven door with a simple push, preventing door impact; without using your hands, which are free to perform other tasks. Standard in the oven are Telescopic racks and are totally removable making the use of the ovens baking trays and general cooking in the oven easy and effortless. The Full size inner door glass provides a panoramic view from the outside of the oven door of what is inside the oven, its fill width also enables easy cleaning with no crevices for food scraps and residue to get trapped.



S-move soft & gentle closing door hinges



ULTRA-Clean smooth grey cavity



Laser etched cooking modes on control panel with symbol & words

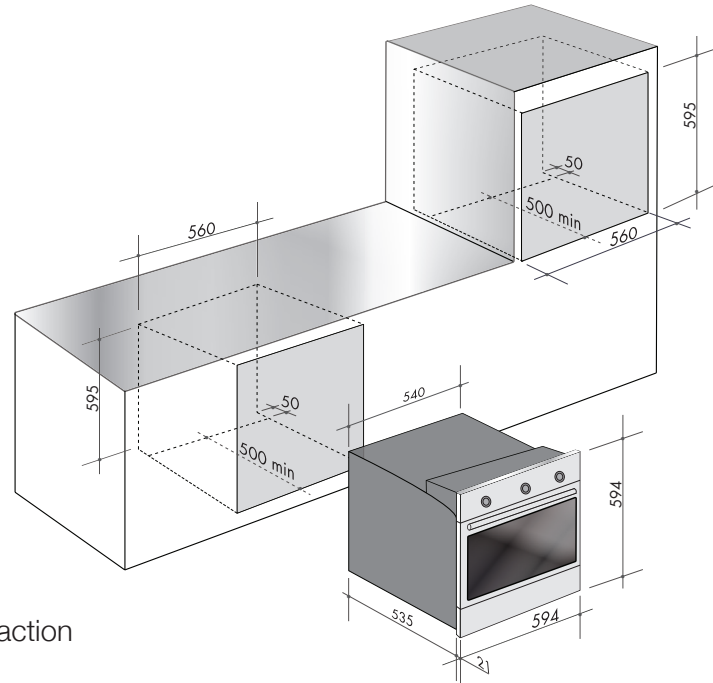
60cm Built-in Electric Oven

600 SKMP



Model 600 SKMP

- Select 9 multifunctional modes
 - Light, convection, fan assisted, bottom, half grill, grill, fan grill, fan forced & pizza
- 77 litre oven capacity
- **ULTRA-Clean** smooth grey cavity
- Cool touch **BIO-safe** triple glazed glass door
- **PANA-view** full-glass oven door and inner glass
- **S-move** soft & gentle closing door hinges
- Dark / black tinted glass on door exterior
- Laser etched cooking modes on control panel with symbol & words
- Closed door grilling
- Knob control and touch-control timer
- Standard with 1 x set of telescopic runners - with 75% extraction
- 5 cooking levels
- Removable oven door and inner door glass
- Precision thermostat control: 0°C–250°C
- Included accessories: 2 x Oven racks & 1 x Grill pan (baking dish) set
- Made in Italy



Built-in Oven 60cm
Model 600 SKMP
Total electrical load: 3.5 kw/h

01072016

You can find us on:



/ILVEappliances



/ILVE_appliances



/ILVEappliances

BLOG livewithilve.com

Australia National Telephone Number 1300 MYILVE (694 583) New Zealand Telephone Number 0508 458 369
ILVE showrooms are open daily from 9am-5pm and Saturdays 10am-4pm

ilve.com.au

NSW & ACT (Head Office)

48-50 Moore Street
Leichhardt
F 02 8569 4699

VIC & SA

1211 Toorak Road
Camberwell
F 03 9809 2155

QLD

1/42 Cavendish Road
Coorparoo
F 07 3397 0850

WA & NT

Unit 10/55 Howe Street
Osborne Park
F 08 9201 9188

TAS (Crisp Ikin)

3 Pear Avenue
Derwent Park, 7009
P 03 6272 7386

New Zealand

PO Box 11.160
Sockburn Christchurch
F 03 344 5906