

60cm Built-in Gas Oven

600 SVG



- COOL TOUCH
- MADE IN ITALY
- EXPERT MODE
- 24 MONTH WARRANTY
- COOKING LEVELS
- 60CM WIDE



ILVE's new 600 Series compact ovens are the culmination of 2 years of research and development to bring Australian homes a oven that has the technology, sophistication and appearance that embodies the ILVE brand whilst having many functional advantages over its competitors.

The new size of the cooking cavity provides more cooking space and maximises the full internal size of the oven. Our new ULTRA-Clean light grey, nickel-free enamel interior reduces the toxicity of materials in contact with foods and is easy to clean. The Full size inner door glass provides a panoramic view from the outside of the oven door of what is inside the oven, its fill width also enables easy cleaning with no crevices for food scraps and residue to get trapped.



Minute Minder



Cooking modes on control panel with symbol & words

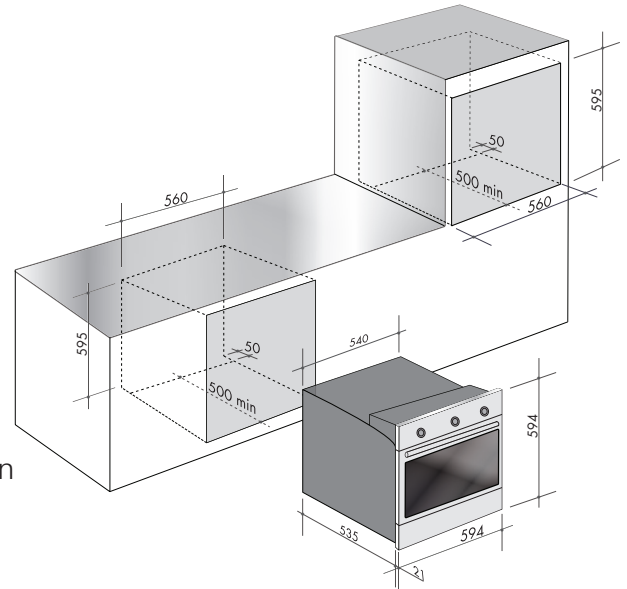
60cm Built-in Gas Oven

600 SVG



Model 600 SVG

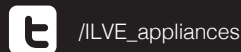
- Select 4 multifunctional expert modes
 - Light, bottom gas flame, grill, fan grill
- 77 litre oven capacity
- PANA-view full-glass oven door and inner glass
- ULTRA-Clean smooth grey cavity
- Cool touch BIO-safe triple glazed glass door
- Dark / black tinted glass on door exterior
- Cooking modes on control panel with symbol & words
- Knob control with digital minute minder
- Standard with 1 x set of telescopic runners - with 75% extraction
- 5 cooking levels
- Removable oven door and inner door glass
- Precision thermostat control: 0°C–250°C
- Included accessories: 2 x Oven racks & 1 x Grill pan (baking dish) set
- Made in Italy



Built-in Oven 60cm
 Model 600 SVG
 Total gas consumption (NAT): 9 kw/h
 Total gas consumption (LPG): 7.5 kw/h

29072016

You can find us on:



Australia National Telephone Number 1300 MYILVE (694 583) New Zealand Telephone Number 0508 458 369
 ILVE showrooms are open daily from 9am-5pm and Saturdays 10am-4pm

ilve.com.au

NSW & ACT (Head Office)

48-50 Moore Street
 Leichhardt
 F 02 8569 4699

VIC & SA

1211 Toorak Road
 Camberwell
 F 03 9809 2155

QLD

1/42 Cavendish Road
 Coorparoo
 F 07 3397 0850

WA & NT

Unit 10/55 Howe Street
 Osborne Park
 F 08 9201 9188

TAS (Crisp Ikin)

3 Pear Avenue
 Derwent Park, 7009
 P 03 6272 7386

New Zealand

PO Box 11.160
 Sockburn Christchurch
 F 03 344 5906