

90cm Built-in Electric Oven

900 STCP



- 
COOL TOUCH
- 
MADE IN ITALY
- 
TOUCH CONTROL
- 
CHEF ASSIST
- 
EXPERT MODE
- 
14 MULTI-FUNCTION MODES
- 
PRESET RECIPES
- 
24 MONTH WARRANTY
- 
COOKING LEVELS
- 
90CM WIDE



ULTRA-Clean smooth grey cavity and Twin Fan Oven Cavity

ILVE's new 900 Series large cavity ovens are the culmination of 2 years of research and development to bring Australian homes a oven that has the technology, sophistication and appearance that embodies the ILVE brand whilst having many functional advantages over its competitors.

Technology is at the forefront offering a new feature we call 'CHEF-assist'. A colour, TFT touch screen with smart control panel available in 11 different languages, over 35 preset recipe modes and upto 100 saved 'personalised' recipes enable you to cook any dish for the entire family, perfectly. To make cooking even more enjoyable the latest range also offers automatic cooking times, weight presets and has the brilliant function of allowing you to change the thermostat from Degrees to Fahrenheit, making recipe temperature conversions and control easier than ever before.

The new size of the cooking cavity provides more cooking space and maximises the full internal size of the oven. Our new ULTRA-Clean light grey, nickel-free enamel interior reduces the toxicity of materials in contact with foods and is easy to clean. Another new feature is the S-MOVE soft-closing door allows you to gently close the oven door with a simple push, preventing door impact; without using your hands, which are free to perform other tasks. Standard in the oven are Telescopic racks that are totally removable making the use of the ovens baking trays and general cooking in the oven easy and effortless. The Full size inner door glass provides a panoramic view from the outside of the oven door of what is inside the oven, its full width also enables easy cleaning with no crevices for food scraps and residue to get trapped.

Available Colours



Stainless Steel Black Glass



S-move soft & gentle closing door hinges



Preset Cooking & Smart Touch Control Panel

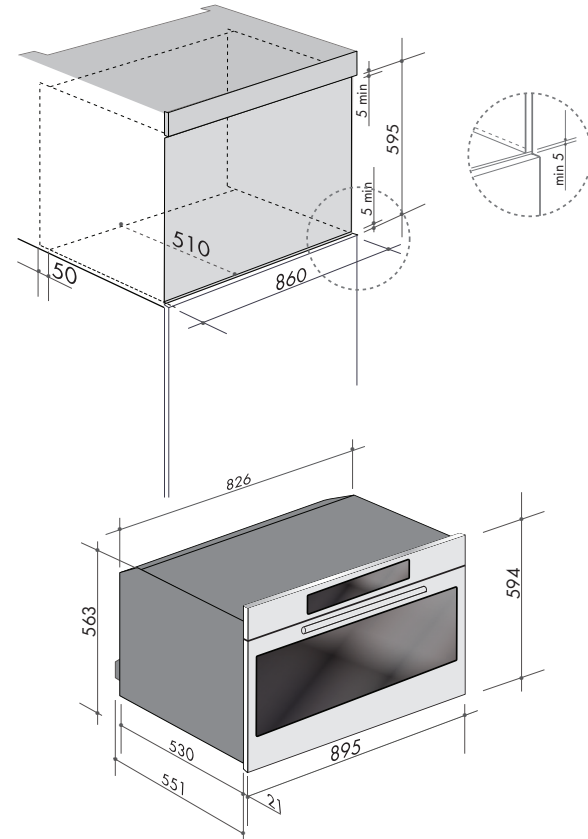
90cm Built-in Electric Oven

900 STCP



Model 900 STCP

- Select 14 specialised manual expert modes
- CHEF-assist with over 35 preset recipes with automatic cooking time and weight preset for a variety of family meals
- Save upto 100 of your favoured most used recipes
- ULTRA-Clean smooth grey cavity
- Cool touch BIO-safe triple glazed glass door
- PANA-view full-glass oven door and inner glass
- S-move soft & gentle closing door hinges
- Twin fan heating providing even heat distribution with reduced hot spots & consistent heat
- Extra large 102L oven capacity
- A+ Energy class
- 11 different language settings
- Time (12h or 24h) and date setting
- Touch control TFT display with brightness adjustment
- Dark / black tinted glass on door exterior
- Pre programmable timer with 3 beeper level options
- Accurate digital thermostat control 0°C - 250°C
- °C or °F setting
- Closed door grilling
- Standard with 1 x set of telescopic runners - with 75% extraction
- 5 cooking levels
- Removable oven door and inner door glass
- Included accessories: 2 x Oven racks & 1 x Grill pan (baking dish) set
- Made in Italy



Built-in Oven 90cm
Model 900 STCP
Total electrical load: 3.5kw/h

01072016

You can find us on:



/ILVEappliances



/ILVE_appliances



/ILVEappliances

BLOG liveswithilve.com

Australia National Telephone Number 1300 MYILVE (694 583) New Zealand Telephone Number 0508 458 369
ILVE showrooms are open daily from 9am-5pm and Saturdays 10am-4pm

ilve.com.au

NSW & ACT (Head Office)

48-50 Moore Street
Leichhardt
F 02 8569 4699

VIC & SA

1211 Toorak Road
Camberwell
F 03 9809 2155

QLD

1/42 Cavendish Road
Coorparoo
F 07 3397 0850

WA & NT

Unit 10/55 Howe Street
Osborne Park
F 08 9201 9188

TAS (Crisp Ikin)

3 Pear Avenue
Derwent Park, 7009
P 03 6272 7386

New Zealand

PO Box 11.160
Sockburn Christchurch
F 03 344 5906