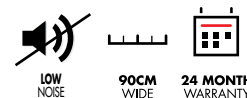


COMMERCIAL PRODUCT

CSFR-90

90cm slideout rangehood



- SIZE mm** 900W 280D, extended 435  
1474H
- FINISH** stainless steel
- CAPACITY** 350m<sup>3</sup>/hr net airflow
- FEATURES**
- 65 dBA maximum
  - maximum power consumption: 180W
  - slider controls
  - aluminium filter coated in stainless steel
  - 2 anti-grease filters
  - 3 extraction levels
  - 1 x E-14 energy-saving 9W lamp
  - 120mm outlet diameter
  - installation with exterior/recirculating
  - easy installation system
  - standard 40mm aluminium front handrail  
supplied; extra 70mm handrail also  
included for use in recirculating mode



Rangehood extraction rate m<sup>3</sup>/hr reading is measured at 1m duct up, 1x90° C bend and 1m vertical duct

EAN 90cm: 9341584035301

DISCLAIMER

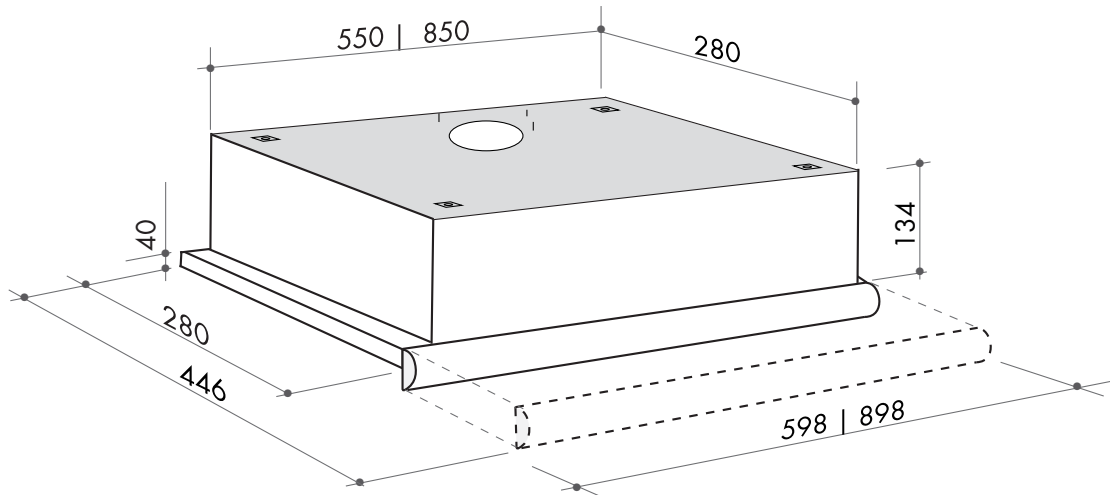
Eurolinx Pty Ltd, trading as ILVE Appliances, is continually seeking ways to improve the design specifications, aesthetics and production techniques of its products. As a result alterations to our products and designs take place continually. Whilst every effort is made to produce information and literature that is up to date, this brochure should not be regarded as an infallible guide to the current specifications, nor does it constitute an offer for the sale of any particular product. Product dimensions indicated in our literature is indicative only. Actual product only should be used to define dimension cutouts. Distributors, and retailers are not agents of ILVE Appliances and are not authorized to bind ILVE Appliances by any express or implied undertaking or representation.

IL170120

COMMERCIAL PRODUCT

CSFR-90

90cm slideout rangehood



Standard 40mm aluminium front handrail supplied; extra 70mm handrail also included for use in recirculating mode.




*Optional 90cm front rail — supplied in box*

NB: drawings are not to scale — they are to be used as a guide only.  
For full installation instructions, please refer to user manual.

You can find us on:

 [facebook.com/ILVEappliances](https://facebook.com/ILVEappliances)

 [twitter.com/ILVE\\_appliances](https://twitter.com/ILVE_appliances)

 [youtube.com/ILVEappliances](https://youtube.com/ILVEappliances)

 [liveswithilve.com](https://liveswithilve.com)

Australia National Telephone Number 1300 MYILVE (694 583) New Zealand Telephone Number 0508 458 369

ILVE showrooms are open Tuesday to Friday from 9am-5pm and Saturdays 10am-4pm (WA by appointment only on Saturdays)

[ilve.com.au](https://ilve.com.au)

**NSW & ACT  
(head office)**

48 Moore Street  
Leichhardt  
02 8569 4699

**VIC | SA**

1211 Toorak Road  
CAMBERWELL  
03 9809 2155

**QLD**

1/42 Cavendish Road  
COORPAROO  
07 3397 0850

**WA | NT**

10/55 Howe Street  
OSBORNE PARK  
08 9201 9188

**New Zealand**

PO Box 11.160  
Sockburn Christchurch  
03 344 5913