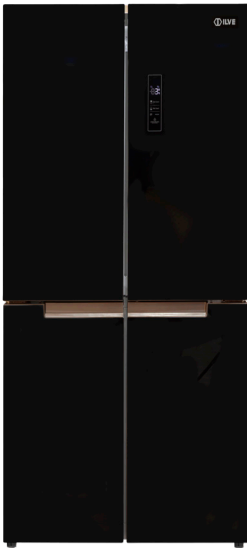


FOUR DOOR REFRIGERATOR & FREEZER

ILREF482FDBV

- 24 MONTH WARRANTY
- LED DISPLAY
- TOUCH CONTROL
- 84CM WIDE
- LED GLOBE
- NO FROST
- ICE TRAY
- EGG TRAY



Standard Option - Product Colour



Stainless Steel Black Glass

ILREF482FDBV FOUR DOOR REFRIGERATOR & FREEZER

FEATURES

- Energy class: A+
- Vacation mode
- LED internal light (4W power)
- 'PT Fresh' - Multi-air flow design system
- Dual cycle and cooling system
- LED display control panel on the exterior door
- Frost free
- Double crisper drawers
- Control panel lock
- 'super freezing' & 'super COOL' option

CAPACITY

- Net capacity: 482L
- Fridge capacity: 336L
- Freezer capacity: 146L
- Wide internal opening for large platters

INCLUDED HARDWARE

- Fridge:
 - 1 x egg tray
 - 6 x door baskets / shelves
 - 1 x fixed shelf & 2 x adjustable shelves
- Freezer:
 - 6 x drawers
 - 2 glass shelves on top of the drawers to seal the freezing environment for food
 - 1 x ice tray

TEMPERATURE RANGE

- Fridge: 2°C to 8°C
- Freezer: -16°C to -24°C

DOOR

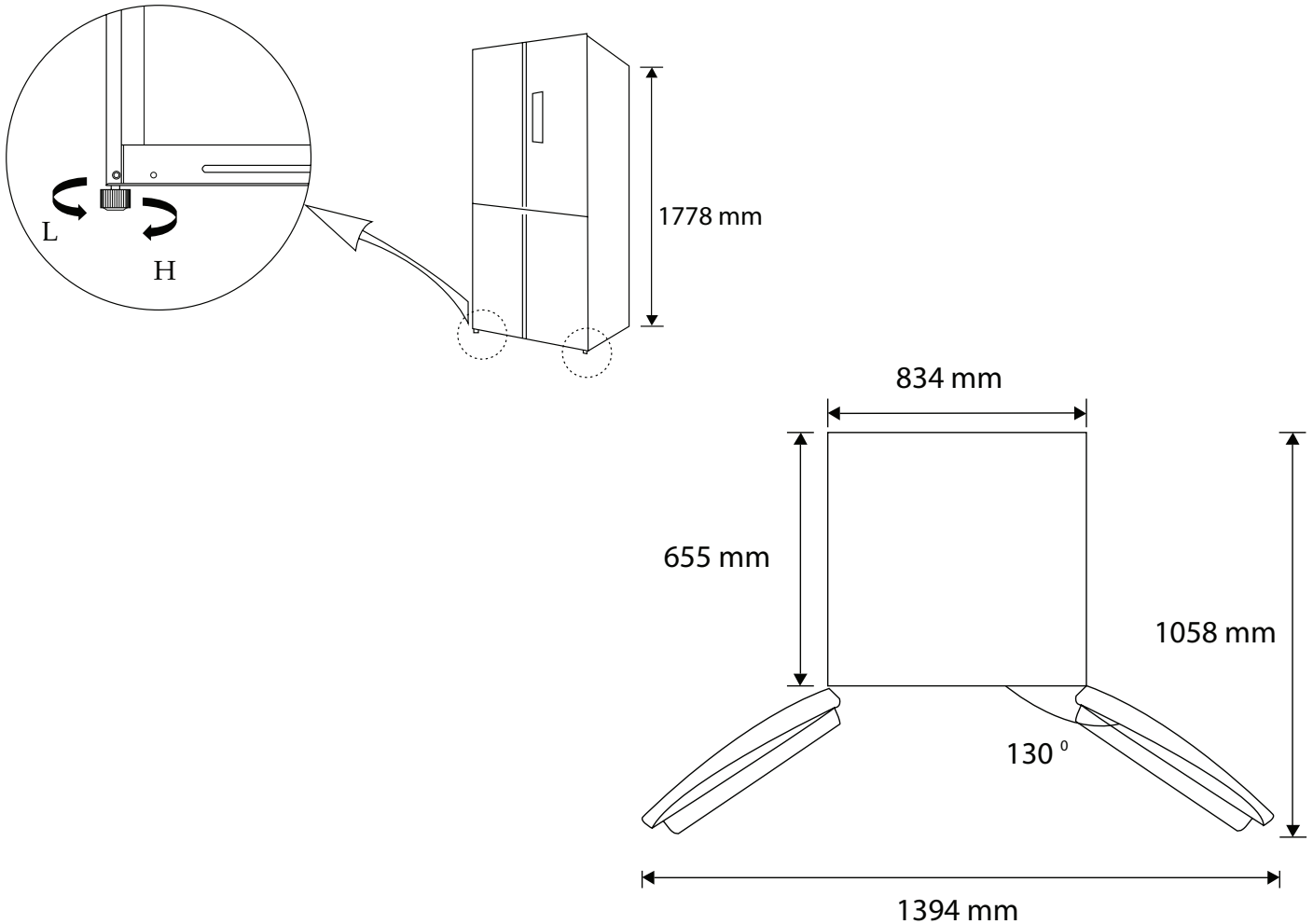
- Handless door with concealed 'finger' grab opening slot
- Four door's and compartments

DETAILED INFORMATION

- Size (mm): 834W x 655D x 1778H
- Noise: 42dbA
- Refrigerant type R600A



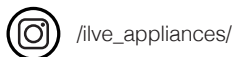
ILREF482FDBV



i Refrigeration
EAN code: 9341584114556 (ILREF482FDBV)
 Product Size: 834W x 655D x 1778H mm
 10 AMP plug & lead
 170cm power cord

NB: drawings are not to scale —
 they are to be used as a guide only

FOLLOW US:



Page
21052021

Australia National Telephone Number 1300 MYILVE (694 583) New Zealand Telephone Number 0508 458 369
 ILVE showrooms are open daily from 9am-5pm and Saturdays 10am-4pm

ilve.com.au

NSW & ACT (Head Office)

48-50 Moore Street
 Leichhardt
 F 02 8569 4699

QLD

1/42 Cavendish Road
 Coorparoo
 F 07 3397 0850

WA & NT

Unit 10/55 Howe Street
 Osborne Park
 F 08 9201 9188

New Zealand

PO Box 11.160
 Sockburn Christchurch
 F 03 344 5906

DISCLAIMER
 Eurolinx PTY LTD, trading as ILVE Appliances, is continually seeking ways to improve the design specifications, aesthetics and production techniques of its products. As a result alterations to our products and designs take place continually. Whilst every effort is made to produce information and literature that is up to date, this brochure should not be regarded as an infallible guide to the current specifications, nor does it constitute an offer for the sale of any particular product. Product dimensions indicated in our literature is indicative only. Actual product only should be used to define dimension cutouts. Distributors, and retailers are not agents of ILVE Appliances and are not authorized to bind ILVE Appliances by any express or implied undertaking or representation.