

CANOPY RANGE HOOD

H15BRLM90



24 MONTH
WARRANTY



90CM
WIDE



MOTOR
CUT OUT FIRE
PROTECTION



HALOGEN
GLOBE



LOW
NOISE



We all adore the scrumptious smells that billow from your favourite dishes in the kitchen, but not when those smells become stagnant within the home.

ILVE's range hoods are designed to stealthily keep your kitchen fresher and cleaner. ILVE range hoods craftily stand above the rest. Their powerful high speed fan removes cooking odours, smoke and vapour from the kitchen, while extremely fine filters trap all grime. It features intelligent auto fire shut-down sensors and a filter cleaning reminder light. The smart timer function can be set for an automatic turn off leaving you to your culinary masterpiece at hand. In-built Halogen Lights produce a natural brightness, illuminating your cooking area while the streamlined electronic control panel ensures whisper quiet air extraction is at your fingertips.

Either as a visual focal point or discreetly integrated, it is easy to see that ILVE Range hood's are built to extract!

Standard Option - Rangehood Colour



Stainless Steel
With Black
Acrylic

CANOPY RANGE HOOD



H15BRLM90

H15BRLM CANOPY HOOD

FEATURES

- Adjustable and delayed self-switch off feature
- 2 x 20W Halogen lighting
- Available with black acrylic strip
- Electronic push button with variable speed

SAFETY

- Motor cut out fire protection

CLEANING

- Light indicator for grease filter maintenance

FILTERS

- Honeycomb aluminium filters

MOTOR

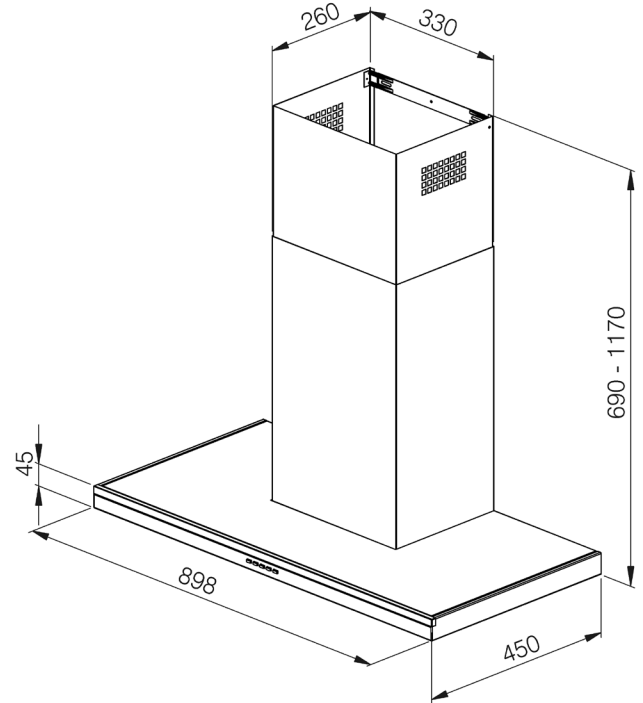
- Single motor: 930m³/h
- Double turbine fan with low decibel rating: 74.4
- Suitable for ducting or recirculating***

DETAILED INFORMATION

- Power standard: 10 Amp plug
- Ducting size: 150mm
- Extended flue pipe is available from ILVE

OPTIONAL EXTRA

- Optional recirculating kit and accessories are available (consult with ILVE)

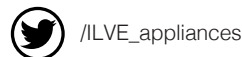
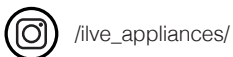


*Range hood extraction rate m³/hr reading is measured at 1m duct up, 1x90° C bend and 1m vertical duct

**Using the conversion back to 125mm may effect performance

NB: drawings are not to scale — they are to be used as a guide only

FOLLOW US:



Page 2/2
03062021

Australia National Telephone Number 1300 MYILVE (694 583) New Zealand Telephone Number 0508 458 369
ILVE showrooms are open daily from 9am-5pm and Saturdays 10am-4pm

ilve.com.au

NSW & ACT (Head Office)

48-50 Moore Street
Leichhardt
F 02 8569 4699

QLD

1/42 Cavendish Road
Coorparoo
F 07 3397 0850

WA & NT

Unit 10/55 Howe Street
Osborne Park
F 08 9201 9188

New Zealand

PO Box 11.160
Sockburn Christchurch
F 03 344 5906

DISCLAIMER
Eurolinx PTY LTD, trading as ILVE Appliances, is continually seeking ways to improve the design specifications, aesthetics and production techniques of its products. As a result alterations to our products and designs take place continually. Whilst every effort is made to produce information and literature that is up to date, this brochure should not be regarded as an infallible guide to the current specifications, nor does it constitute an offer for the sale of any particular product. Product dimensions indicated in our literature is indicative only. Actual product only should be used to define dimension cutouts. Distributors, and retailers are not agents of ILVE Appliances and are not authorized to bind ILVE Appliances by any express or implied undertaking or representation.