

120cm Flushline Cooktop

HP1230DT



With ILVE Gas Cooktops, you can simmer at the lowest temperatures that your recipe calls for or go to searing heat instantly. With infinite precision heat settings you'll have perfect cooking control. Cleaning is easy! There are fewer food trapping cracks and crevices allowing for easy wipe maintenance. The trivets, burner caps and supports are removable and easily cleaned either in a dishwasher or by hand. A stainless steel finish ensures this cook top will co-ordinate beautifully with the design of other ILVE appliances. ILVE have maintained their core values as a family owned business and continue to manufacture appliances that represent the most pure thing in a family – dinner time! The kitchen is, and should always be, a place and a time where the family meets and shares.



120cm Flushline Cooktop

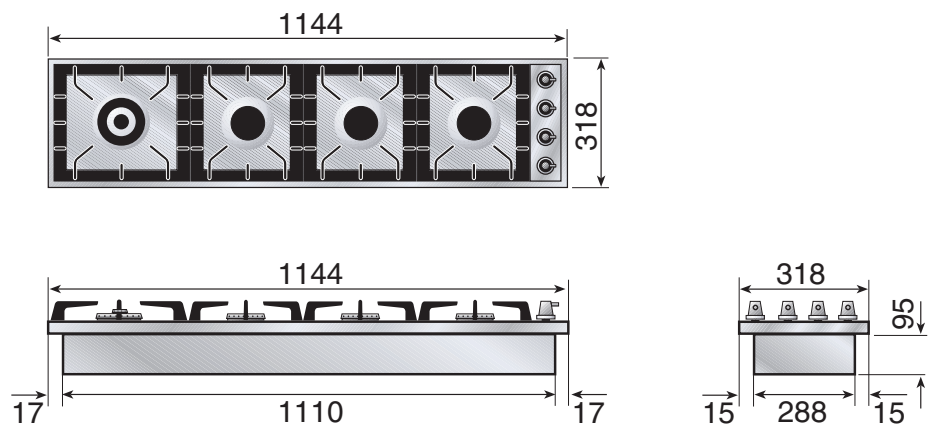
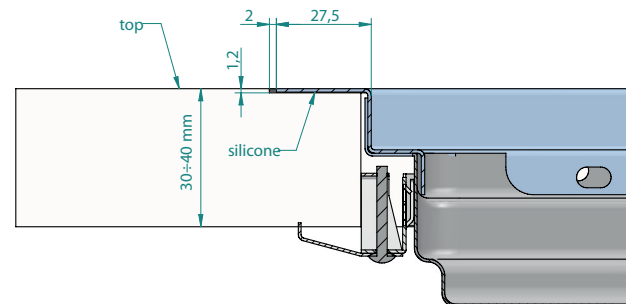
HP123ODT



Model HP123ODT 120cm Flushline Cooktop

- Large cooking surface with spacious burner layout
- Triple ring all purpose brass wok burner
- Precision burner controls each with position accurate thermostat control
- AS304 stainless steel construction
- 75% hand built
- One touch automatic electronic ignition
- Cast iron heavy duty trivets and burner caps finished in matt black
- All gas burners fitted with flame failure cut out safety devices
- Deep recessed spill trays
- Easy clean removable trivets and burners
- Easy clean single piece sealed hob
- Available in stainless steel only
- Plug in 10 AMP power supply
- Easy in-bench serviceability

** Please note: If you are installing this product with routed edges, we recommend you ONLY ever use the actual product as a guide



Australia National Telephone Number 1300 MYILVE (694 583) New Zealand Telephone Number 0508 458 369
ILVE showrooms are open daily from 9am-5pm and Saturdays 10am-4pm (WA by appointment only on Saturdays)

ilve.com.au

NSW & ACT (Head Office)

48-50 Moore Street
Leichhardt
F 02 8569 4699

VIC, TAS & SA

1211 Toorak Road
Camberwell
F 03 9809 2155

QLD

1/42 Cavendish Road
Coorparoo
F 07 3397 0850

WA & NT

Unit 10/55 Howe Street
Osborne Park
F 08 9201 9188

New Zealand

PO Box 11.160
Sockburn Christchurch
F 03 344 5906

DISCLAIMER
Eurolinx PTY LTD, trading as ILVE Appliances, is continually seeking ways to improve the design specifications, aesthetics and production techniques of its products. As a result alterations to our products and designs take place continually. Whilst every effort is made to produce information and literature that is up to date, this brochure should not be regarded as an infallible guide to the current specifications, nor does it constitute an offer for the sale of any particular product. Product dimensions indicated in our literature is indicative only. Actual product only should be used to define dimension cutouts. Distributors, and retailers are not agents of ILVE Appliances and are not authorized to bind ILVE Appliances by any express or implied undertaking or representation.