

# Island Hood

## IS90



ILVE's Island rangehoods are designed to stealthily keep your kitchen fresher and cleaner. ILVE Island rangehoods craftily stand above the rest. Their powerful highspeed fan removes cooking odours, smoke and vapour from the kitchen, while extremely fine filters trap all grime. In-built Halogen Lights produce a natural brightness, illuminating your cooking area while the streamlined electronic control panel ensures whisper quiet air extraction is at your fingertips. Either as a visual focal point or discreetly integrated, it is easy to see that ILVE Rangehood's are built to extract!



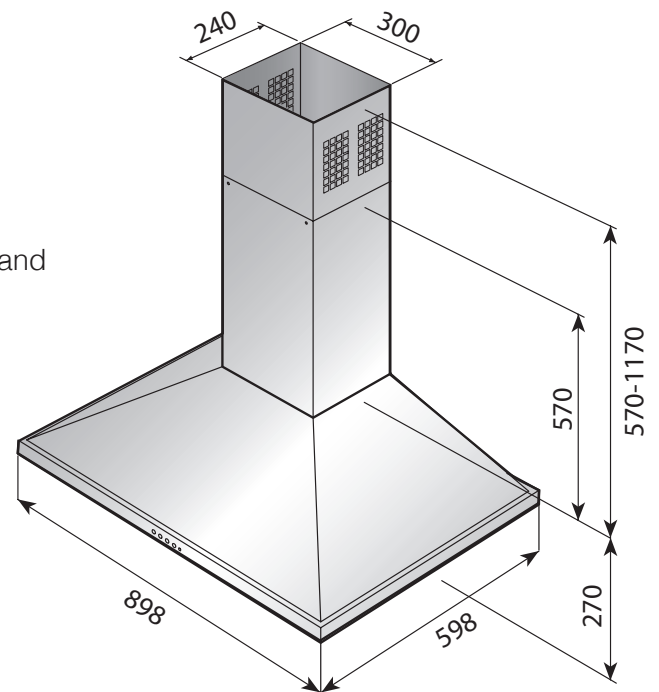
# Island Hood

## IS90



### Model IS90 Island Hood

- Designed and purpose built for ILVE appliances
- Construction 2 piece 18/8 stainless steel
- High air extraction with double centrifugal fans for quiet and efficient operation, 920m<sup>3</sup>/h
- Three speed push button situated on the front facia
- Easy installation kit supplied
- Twin halogen lighting
- Adjustable flue pipe to ceiling
- Ducted or recirculating available
- Ducting size 150mm
- Size: 90cm
- Optional recirculating kit available



Model: IS90 Island Hood  
Size: 90cm  
Power standard: 10 Amp plug  
Ducting size: 150mm

### You can find us on:



facebook.com/ILVEappliances



twitter.com/ILVE\_appliances



youtube.com/ILVEappliances



livewithilve.com

Australia National Telephone Number 1300 MYILVE (694 583) New Zealand Telephone Number 0508 458 369  
ILVE showrooms are open daily from 9am-5pm and Saturdays 10am-4pm (WA by appointment only on Saturdays)

ilve.com.au

#### NSW & ACT (Head Office)

48-50 Moore Street  
Leichhardt  
F 02 8569 4699

#### VIC, TAS & SA

1211 Toorak Road  
Camberwell  
F 03 9809 2155

#### QLD

1/42 Cavendish Road  
Coorparoo  
F 07 3397 0850

#### WA & NT

Unit 10/55 Howe Street  
Osborne Park  
F 08 9201 9188

#### New Zealand

PO Box 11.160  
Sockburn Christchurch  
F 03 344 5906